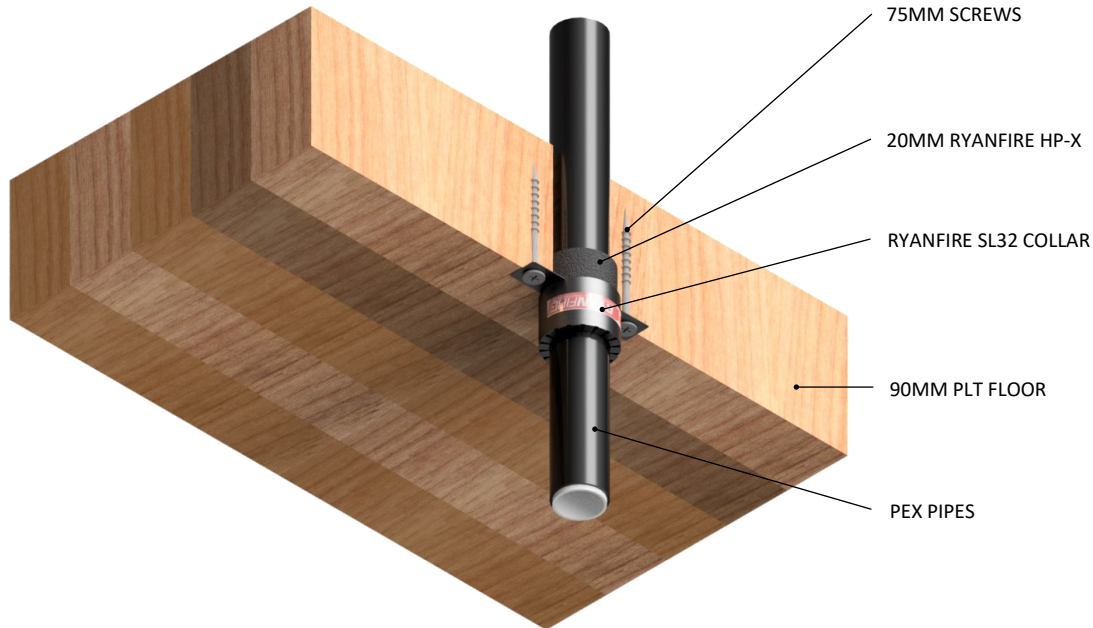


INSTALLATION INSTRUCTIONS

1. ENSURE THE APERTURE IS CLEAN AND FREE OF ANY DUST AND DEBRIS.
2. APPLY RYANFIRE HP-X TO A DEPTH OF 20MM INTO THE ANNULAR GAP. ENSURE THE GAP IS COMPLETELY FILLED.
3. SELECT THE RYANFIRE SL32 COLLAR TO FIT AROUND THE PEX PIPE.
4. FIT THE SL32 COLLAR AROUND THE PIPE AND SLIDE IT UP UNTIL IT IS FLUSH TO THE BOTTOM SURFACE OF THE FLOOR.
5. SECURE THE SL32 COLLAR TO THE FLOOR WITH 75MM TIMBER SCREWS. ENSURE ALL FIXING POINTS ARE USED.
6. REMOVE ANY EXCESS HP-X WITH A DAMP CLOTH.



Products:	RYANFIRE SL COLLAR RYANFIRE HP-X
Approval:	AS 1530.4/4072.1
BK:	87
Ref:	PF 20061
ID:	M
Scenario:	Penetration seal to PEX pipes
Services:	Up to Ø32mm PEX pipes
Annular:	0-5mm
Construction:	90mm PLT floor
Fire Integrity:	30 minutes
Fire Insulation:	0 minutes

Web based drawings are for example only, fire performance of any system is dependant on, but not limited to size of opening, substrate, if penetrations are passing through, type, size and number. Please refer to Ryanfire technical department for detailed and specific fire performance information.



Client

Job Title

Drawing Title
**Ryanfire SL Collar to PEX pipes
 Parallel Laminated Timber floor**

Scale	NTS	Date	November 2020
Sheet Size	A3	Drawn By	
Drawing Number	V22.23	Rev	1.0

Please note:
 Ryanfire Products Ltd owns and has copyright in these drawings. They are to be used only for the purpose for which they were intended and supplied and are not to be sold, transferred or made available for use by a third party.
 Any misuse of these drawings will result in legal proceedings.

All errors and omissions excepted - the Information contained within this drawing is believed to be correct on the date of publication, and is based upon tested and certified solutions. The policy of **RyanFire Products Ltd** is one of constant improvement. Installers must therefore ensure that they are following the latest published drawings, test evidence and instructions. Whilst **RyanFire Products Ltd** will endeavour to keep its publications up to date, the accuracy of the information contained within this drawing may be affected by pertinent changes in the law or regulatory requirements and alterations or amendments to the specification of the **manufactured** products. Terms and conditions of sale apply.

RYANFIRE Technical Support: info@ryanfire.co.nz - Tel 09 443 0362